

# Maintenance-Free Rechargeable Sealed Lead-Acid Battery

## DM12-3.3 (12V3.3AH)

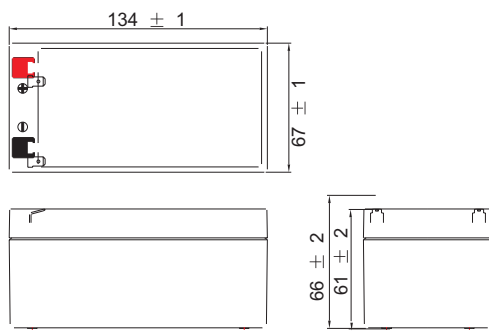
## Specification

### Application

- UPS
- Alarm and security system
- Toys



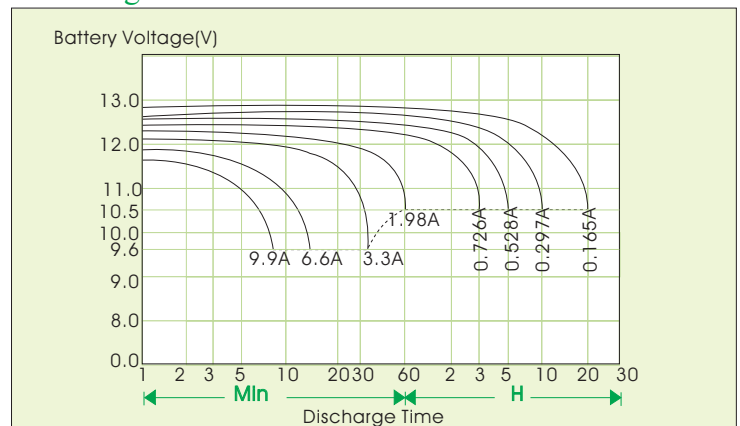
### Dimensions(mm)



Nominal voltage		12V
Rated Capacity (20 HR)		3.3AH
Approx Weight		1.3kg
Terminal	Standard	F1-TAB 187E
	Optional	
Operation Temperature		
Charge	0°C (32°F) ~ 40°C (104°F)	
Discharge	-20°C (-4°F) ~ 50°C (122°F)	
Storage	-20°C (-4°F) ~ 40°C (104°F)	

Capacity 25°C (77°F)	20 hour rate (0.165A)	3.3AH
	10 hour rate (0.297A)	2.97AH
	5 hour rate (0.528A)	2.64AH
	1 hour rate (1.98A)	1.98AH
Capacity affected by temperature	40°C (104°F)	103%
	25°C (77°F)	100%
	0°C (32°F)	86%
	-15°C (5°F)	65%
Self-discharge at 25°C (77°F) (Before recharge)	Capacity after 3 month	91%
	Capacity after 6 month	82%
	Capacity after 12 month	64%
Constant voltage charge	Cycle	Initial Charging Current ≤ 0.99A 14.4V ~ 15V at 25°C (77°F)
	Standby	13.5V ~ 13.8V at 25°C (77°F)
Max discharge current for 5 seconds		49.5A

### Discharge characteristic



Note: Discharge shall be cut-off at 10.5V if discharge at  $< 1C_A$  and at 9.6V if at  $\geq 1C_A$

It is recommended to recharge battery by constant-voltage charge immediately after use

### Constant current (Amp) and Constant Power (Watt) Discharge Table at 25°C (77°F)

Final voltage	Time (min)	5	10	15	20	30	60	120	180	300	600
		1.80VPC	A	12.57	7.80	5.57	4.76	3.05	1.52	1.19	0.65
	W	132.00	82.00	58.50	50.00	32.00	16.00	13.00	9.20	5.80	3.20
1.75VPC	A	12.86	8.09	5.76	4.95	3.23	1.98	1.29	0.72	0.52	0.29
	W	135.00	85.00	60.50	52.00	34.00	18.00	13.50	9.82	6.00	3.30
1.70VPC	A	13.24	8.48	6.24	5.24	3.52	2.10	1.32	0.95	0.60	0.32
	W	139.00	89.00	65.50	55.00	37.00	22.00	13.86	10.00	6.20	3.40
1.65VPC	A	13.42	8.67	6.43	5.43	3.71	2.29	1.35	0.97	0.62	0.34
	W	141.00	91.00	67.50	57.00	39.00	24.00	14.20	10.20	6.50	3.60
1.60VPC	A	13.57	8.81	6.60	5.52	3.35	2.38	1.38	0.99	0.64	0.36
	W	142.50	92.50	69.30	58.00	40.00	25.00	14.50	10.40	6.80	3.80