



CHARACTERISTIC / CARATTERISTICHE	
Volt	12V
Capacity / Capacità	20h 120Ah
	5h 102Ah
Internal Resistance	Full Charged Battery 25°C ≤m5Ω
Capacity affected by Temperature / Effetti delle temperature sulla capacità	40°C 102%
	25°C 100%
	0°C 85%
	-15° 65%
Self-Discharge 25°C Capacity / Autoscarica a 25°C	after 3 month storage 90%
	after 6 month storage 80%
	after 12 month storage 62%
Charge (Costant Voltage 25°C)	Float Volt 13.6 - 13.8V
	Charge Max.35Amp. 14.4 - 14.9 Volt

CHARACTERISTIC / CARATTERISTICHE			
Battery dimensions / Dimensioni batteria			
L/L	W/P	H/A	Tot - H/A
327	172	217	222
Box Dimensions / Dimensioni scatola			
L/L	W/P	H/A	
346	188	289	
Weight / Peso		31.20Kg	
Terminal / Terminali		M8	
Case / Contenitore		ABS	

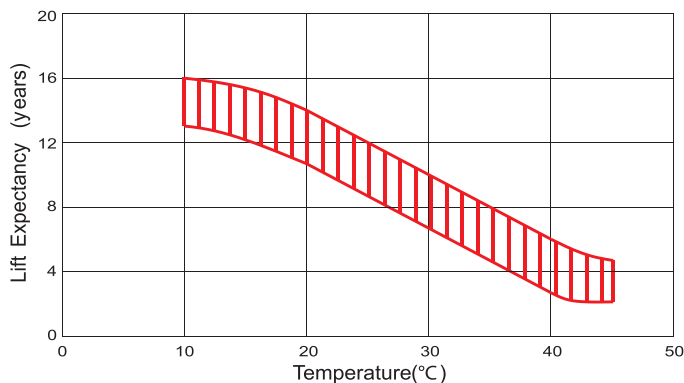
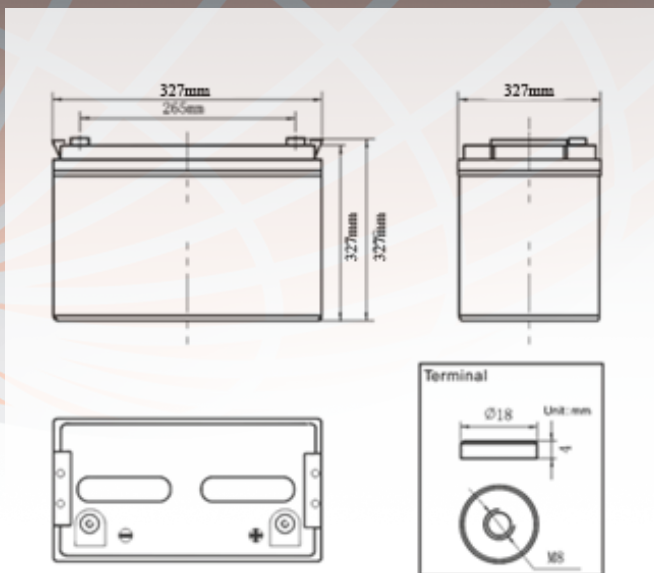
Amp. (25°C)

F.V/Time	5min	10min	15min	30min	45min	1h	2h	3h	5h	8h	10h	20h
1.60V			157.1	110.9	79.6	70.7	43.8	30.0	20.4	13.4	12.0	6.6
1.65V			154.2	108.9	78.2	69.5	43.0	29.4	20.0	13.2	11.8	6.5
1.70V			151.4	106.9	76.7	68.2	42.2	28.9	19.6	12.9	11.6	6.4
1.75V			148.5	104.9	75.3	66.9	41.4	28.3	19.3	12.7	11.3	6.2
1.80V			142.8	100.8	72.4	64.3	39.8	27.3	18.5	12.2	10.9	6.0

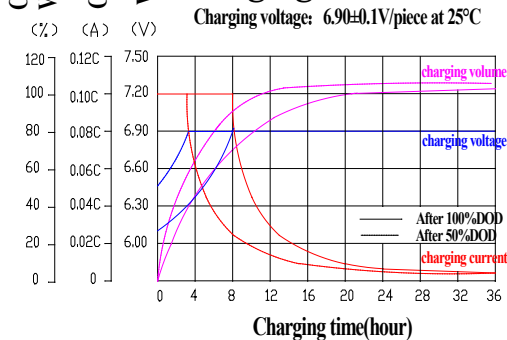
Watts (25°C)

F.V/Time	5min	10min	15min	30min	45min	1h	2h	3h	5h	8h	10h	20h
1.60V			302.4	213.5	153.3	136.2	84.2	57.7	39.2	25.9	23.1	12.7
1.65V			296.9	209.6	150.5	133.7	82.7	56.7	38.5	25.4	22.7	12.5
1.70V			291.4	205.7	147.7	131.2	81.2	55.6	37.8	24.9	22.2	12.2
1.75V			285.9	201.9	144.9	128.7	79.6	54.6	37.1	24.4	21.8	12.0
1.80V			274.9	194.1	139.3	123.8	76.6	52.5	35.7	23.5	21.0	11.5

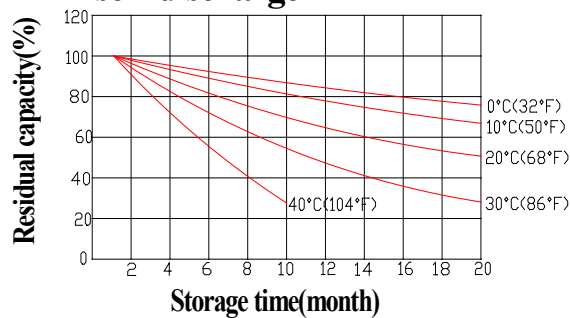
ZGL120085



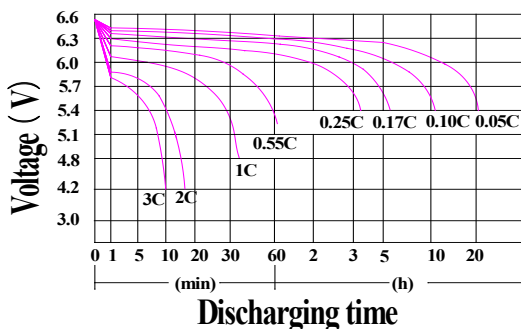
Charging characteristics



Temperature effect on battery self-discharge



Discharge characteristics (25°C)



Temperature effect on capacity

