

BATTERIA SIGILLATA AGM DEEP-CYCLE (USO CICLICO)
DEEP-CYCLE AGM MAINTENANCE FREE BATTERY

ZL1201120

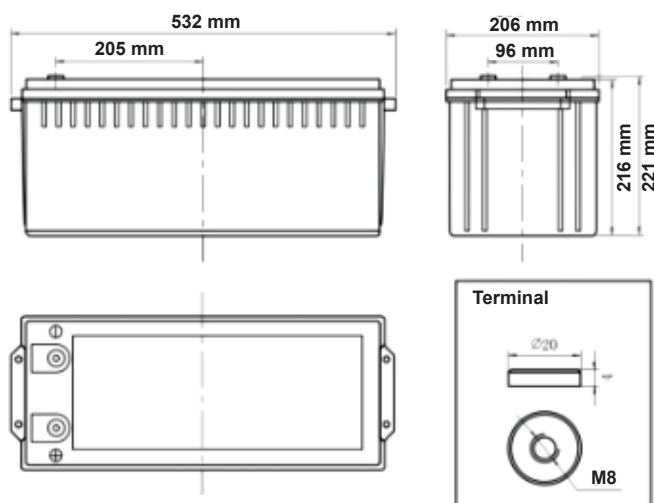


CHARACTERISTIC / CARATTERISTICHE

Volt	12V	
Capacity / Capacità	20h	200Ah
	10h	180Ah
	8h	170Ah
	5h	160Ah
	3h	149Ah
	2h	138Ah
Internal Resistance	Full Charged Battery 25°C ≤3.0mΩ	
Capacity affected by Temperature / Effetti delle temperature sulla capacità	40°C	102%
	25°C	100%
	0°C	70%
Self-Discharge 25°C Capacity / Autoscarica a 25°C	after 3 month storage	90%
	after 6 month storage	80%
	after 12 month storage	62%
Charge cycle / Ciclo di carica	IU + h	"In" max. 35Amp; "V1" 2.43V/cell
	IUIa	"In" max. 35Amp; "V1" 14.4Volt; "If" 2Amp.

CHARACTERISTIC / CARATTERISTICHE

Battery dimensions / Dimensioni batteria			
L/L	W/P	H/A	Tot - H/A
532	206	216	221
Box Dimensions / Dimensioni scatola			
L/L	W/P	H/A	
537	221	296	
USA Group		4D	
Weight / Peso		59,6 Kg	
Terminal / Terminali		M8	
Case / Contenitore		ABS	
Pallet Qt		18	



This information is generally descriptive only and is not intended to make or imply any representation, guarantee or warranty with respect to any cells and batteries. Cell and battery designs/specifications are subject to modification without notice. Contact U.B.S. UNION BATTERY SERVICE for the latest information.

Le informazioni contenute in questa scheda tecnica sono solo descrittive e indicative, non sono una garanzia. U.B.S. UNION BATTERY SERVICE si riserva il diritto di aggiornarle/modificarle senza preavviso.

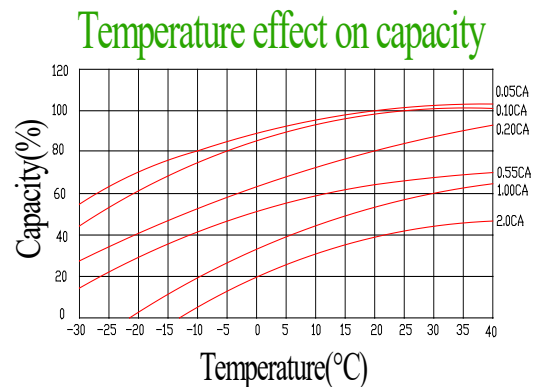
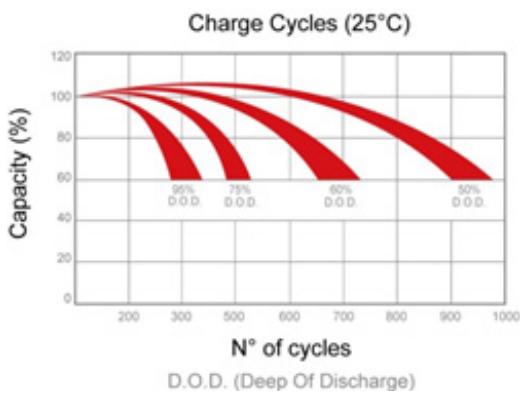


www.unionbatteryservice.it

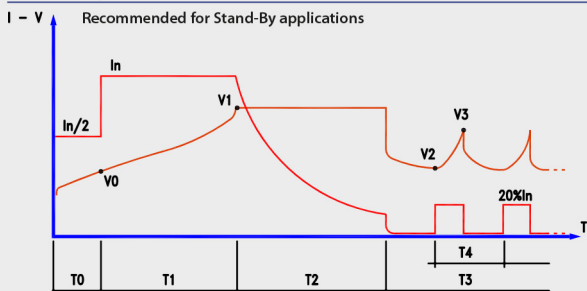
BATTERIA SIGILLATA AGM DEEP-CYCLE (USO CICLICO)
DEEP-CYCLE AGM MAINTENANCE FREE BATTERY

ZL1201120

Zenith



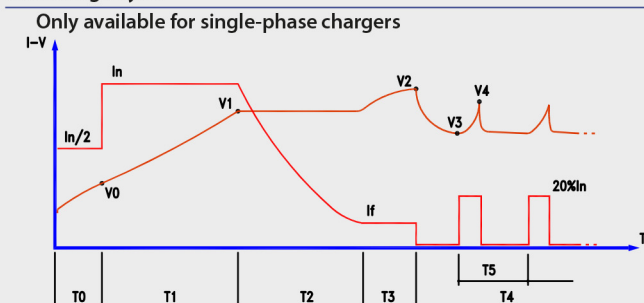
Charge cycle for sealed batteries (GEL/AGM): IU + holding



- In = PROGRAMMED CAPACITY/10
- V0 = 1,90 V/CELL
- V1 = PROGRAMMED VALUE
- V2 = 2.10 V/CELL
- V3 = 2.30 V/CELL
- T0 = MAX. 1 HR
- T1 = MAX. 12 HRS
- T2 = T1 (MIN. 2-MAX. 5 HRS)
- T3 = UNLIMITED

"IUla" charge cycle is always recommended in case of more than 2 batteries in series
Ciclo di carica "IUla" è sempre necessario qualora ci siano più di 2 batterie collegate in serie.

IUla charge cycle



- In = PROGRAMMED VALUE (CHARGE I)
- If = PROGRAMMED VALUE (FINAL I)
- V0 = 1,90 V/CELL
- V1 = PROGRAMMED VALUE (THRESHOLD V)
- V2 = PROGRAMMED VALUE (LOCK V)
- V3 = 2.10 V/CELL
- V4 = 2.30 V/CELL
- T0 = MAX. 1 HR
- T1 = MAX. 12 HRS
- T2 = MAX. T1+6 HRS OR I = IF
- T3 = MAX. 4 HRS
- T4 = UNLIMITED
- T5 = MAX. 6 HRS