

ZLS120120

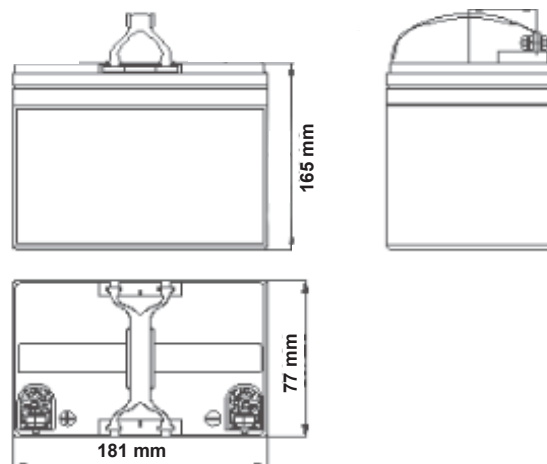


CHARACTERISTIC / CARATTERISTICHE

Volt	12V	
Capacity / Capacità 25°C	20h (1.85V/cell)	28Ah
	5h (1.85V/cell)	23Ah
	3h (1.75V/cell)	21Ah
	2h (1.75V/cell)	20Ah
Capacity affected by Temperature / Effetti delle temperature sulla capacità	40°C	102%
	25°C	100%
	10°C	90%
	0°C	70%
	-10°	50%
Self-Discharge 25°C Capacity / Autoscarica a 25°C	after 3 month storage	90%
	after 6 month storage	80%
	after 12 month storage	70%
Charge cycle / Ciclo di carica	IU + h	"In" max.5Amp; "V1" 2.43V/cell
	IUIa	

CHARACTERISTIC / CARATTERISTICHE

Battery dimensions / Dimensioni batteria			
L/L	W/P	H/A	Tot - H/A
181	77	165	165
Weight / Peso		6.2Kg	
Plt Qt / Qt per pallet		128	
Terminal / Terminali		M5	
Case / Contenitore		ABS	
Internal impedance/ resistenza interna		<10mΩ	



Zenith

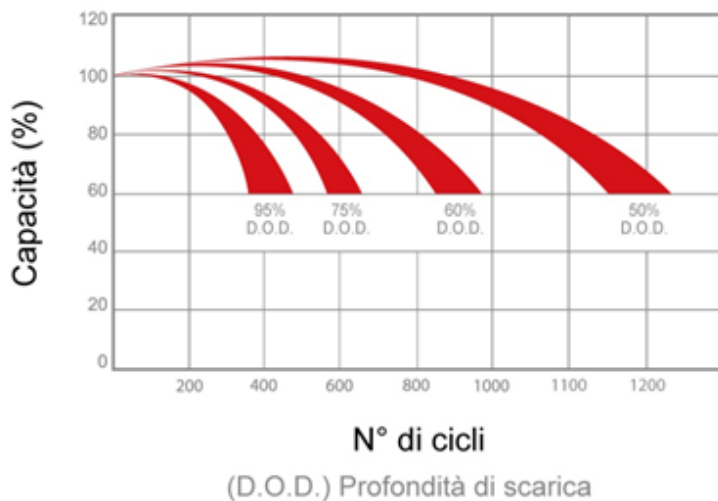
versione/version:01/2019

BATTERIA SIGILLATA AGM DEEP-CYCLE LONGLIFE
SEALED AGM DEEP-CYCLE LONGLIFE

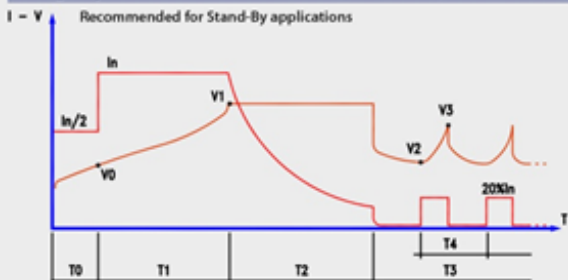
ZLS120120



Cicli di carica (25°C)



Charge cycle for sealed batteries (GEL/AGM): IU + holding



- In = PROGRAMMED CAPACITY/10
- V0 = 1,90 V/CELL
- V1 = PROGRAMMED VALUE
- V2 = 2,10 V/CELL
- V3 = 2,30 V/CELL
- T0 = MAX. 1 HR
- T1 = MAX. 12 HRS
- T2 = T1 (MIN. 2-MAX. 5 HRS)
- T3 = UNLIMITED

This information is generally descriptive only and is not intended to make or imply any representation, guarantee or warranty with respect to any cells and batteries. Cell and battery designs/specifications are subject to modification without notice. Contact U.B.S. UNION BATTERY SERVICE for the latest information.

Le informazioni contenute in questa scheda tecnica sono solo descrittive e indicative, non sono una garanzia. U.B.S. UNION BATTERY SERVICE si riserva il diritto di aggiornarle/modificarle senza preavviso.



www.unionbatteryservice.it